

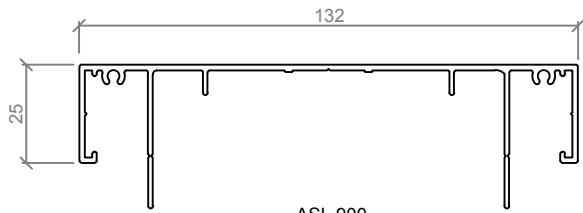
## 92 Series

Our 92 series accommodate a 92mm stud with a single layer of plasterboard on each side. It is the preferred choice for larger spans of glazing or when you need to achieve higher acoustic rating, with the wider stud width allowing for more acoustic insulation. When used in conjunction with our Acoustic, Edge & Multilayer ranges you can achieve some of the best STC ratings whilst maintaining the desired look throughout the entire fitout.

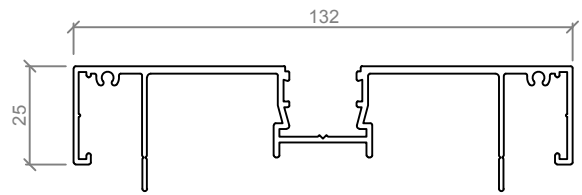
- Suited to 92mm stud
- Designed for high stud ceiling heights
- 132mm wide and profile heights of 25mm to 44mm
- Easily accommodates 12.38mm Laminated glass
- Built in screw ports and staking bracket locators
- Negative detail options available
- Seismic head track option available
- Range of options for mullions, transoms & door frames



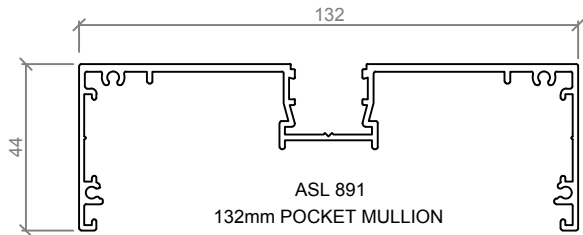
**Standard Suite Profiles** - Suitable for: 92mm Steel Stud, 13mm Plasterboard incl. Glazing Profiles



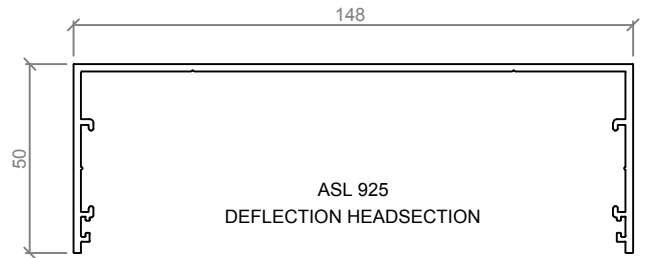
ASL 900  
132mm FLUSH HEADSECTION



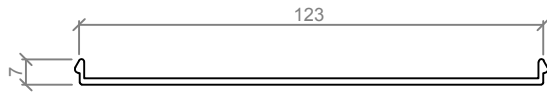
ASL 890  
132mm POCKET HEADSECTION



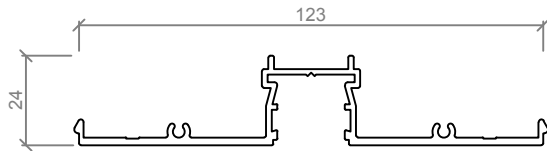
ASL 891  
132mm POCKET MULLION



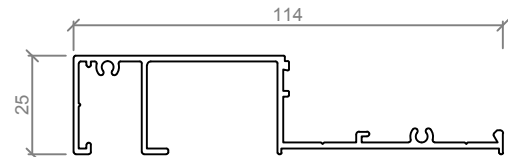
ASL 925  
DEFLECTION HEADSECTION



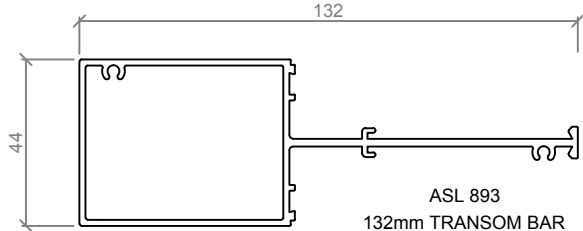
ASL 898  
FLUSH STARTER CAP



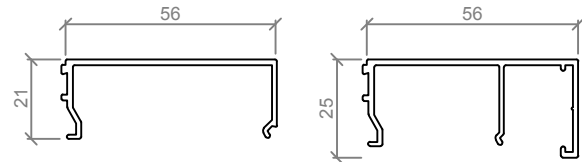
ASL 892  
POCKET STARTER CAP



ASL 895  
GLAZING BAR

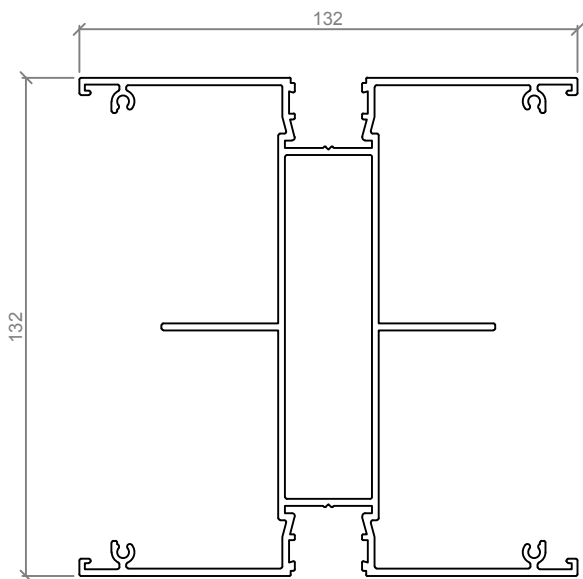


ASL 893  
132mm TRANSOM BAR

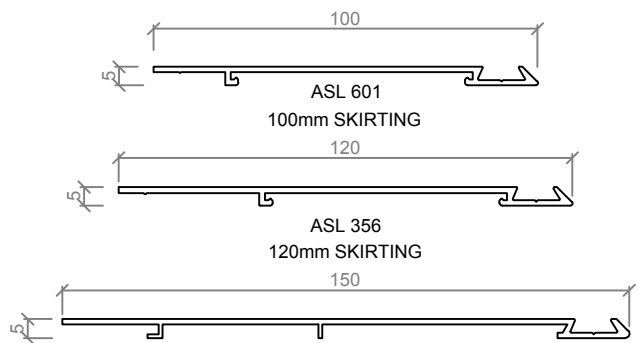


ASL 894  
TRANSOM BEAD

ASL 896  
GLAZING BEAD



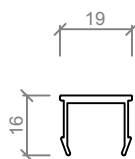
ASL 897  
132mm MULTI POST



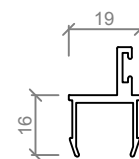
ASL 601  
100mm SKIRTING

ASL 356  
120mm SKIRTING

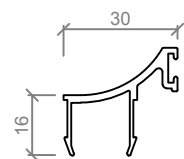
ASL 602  
150mm SKIRTING



ASL 648  
POCKET FLUSH INFILL

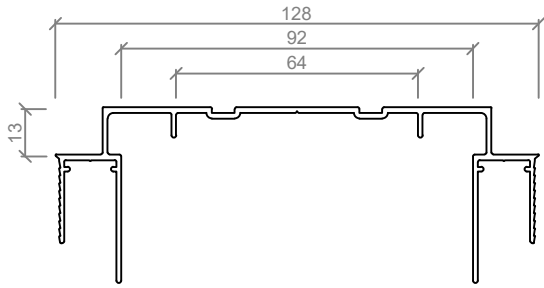


ASL 545  
POCKET DOOR STOP  
UP TO 50mm DOOR

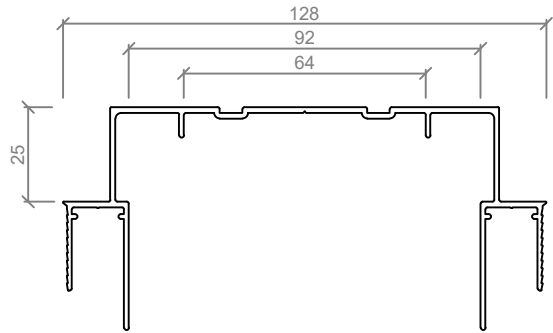


ASL 901  
POCKET DOOR STOP  
UP TO 40mm DOOR

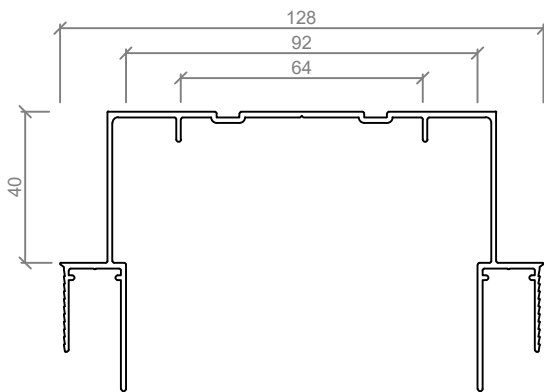
**Negative Detail Profiles** - Suitable for: 92mm Steel Stud, 13mm Plasterboard



ASL 741  
GROOVED HEADSECTION (13mm NEG. DETAIL)

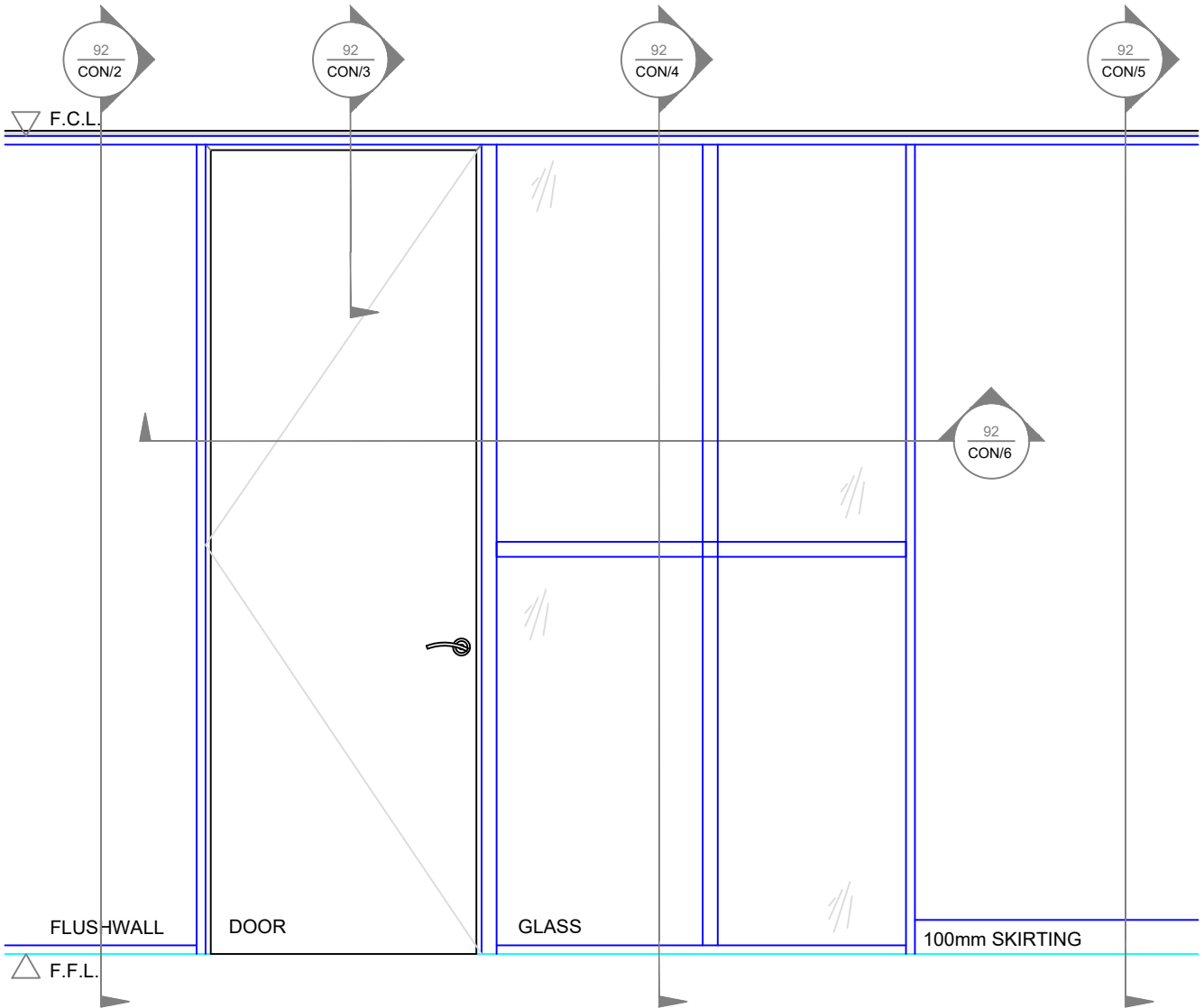


ASL 756  
GROOVED HEADSECTION (25mm NEG. DETAIL)

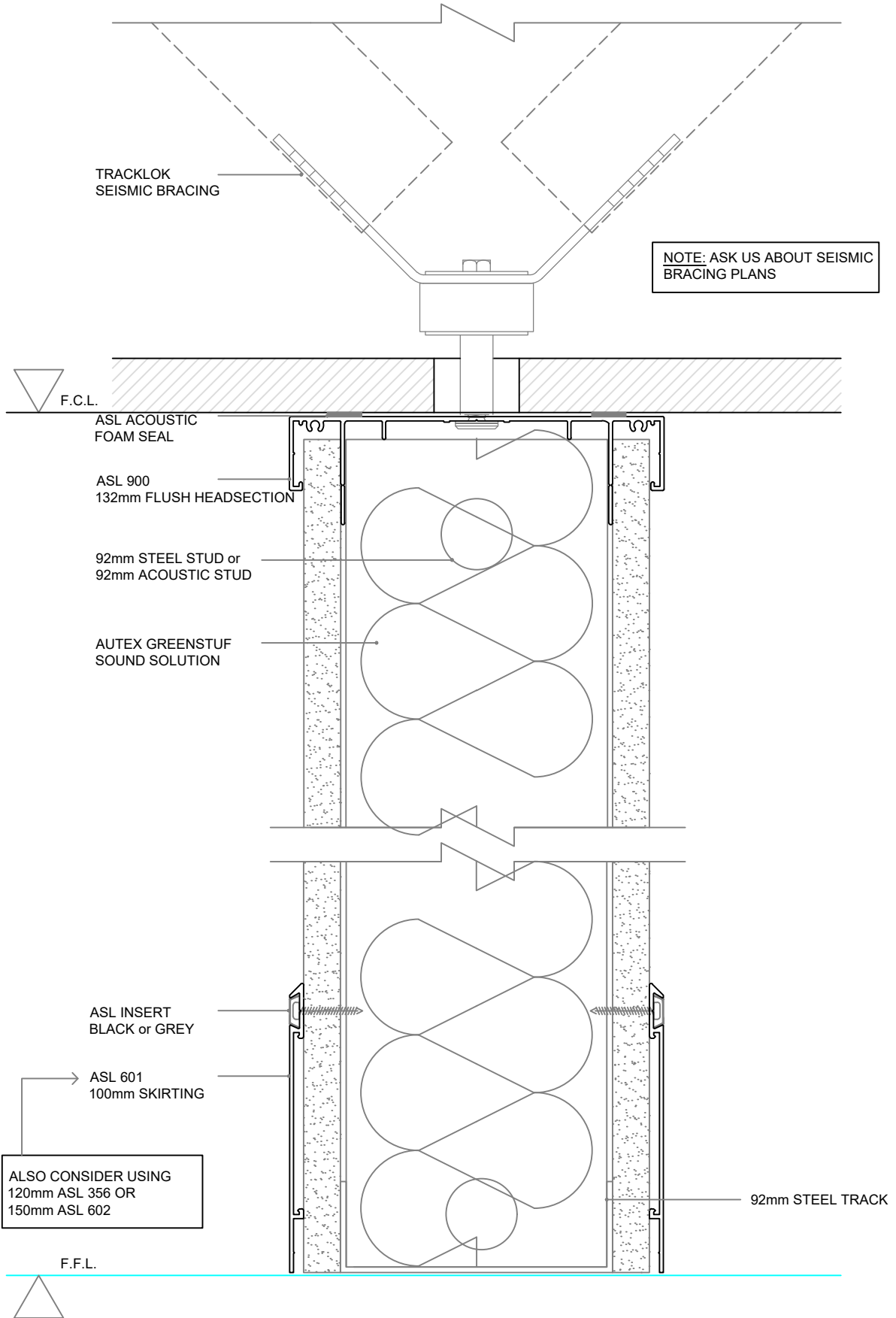


ASL 747  
128mm GROOVED HEADSECTION (40mm NEG. DETAIL)

## Standard Elevation

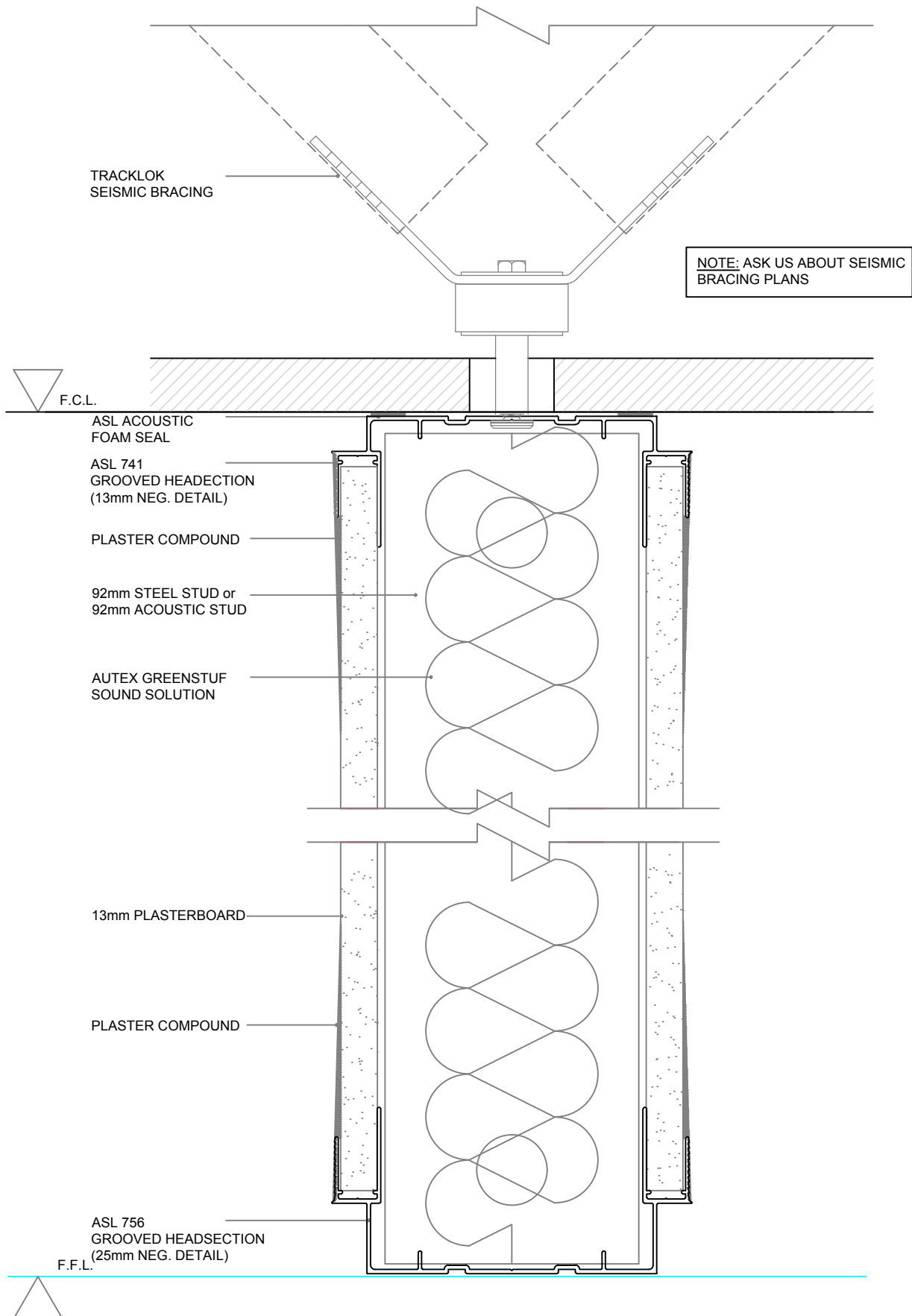


**Standard Details - Headsection Wall with 13mm Plasterboard**

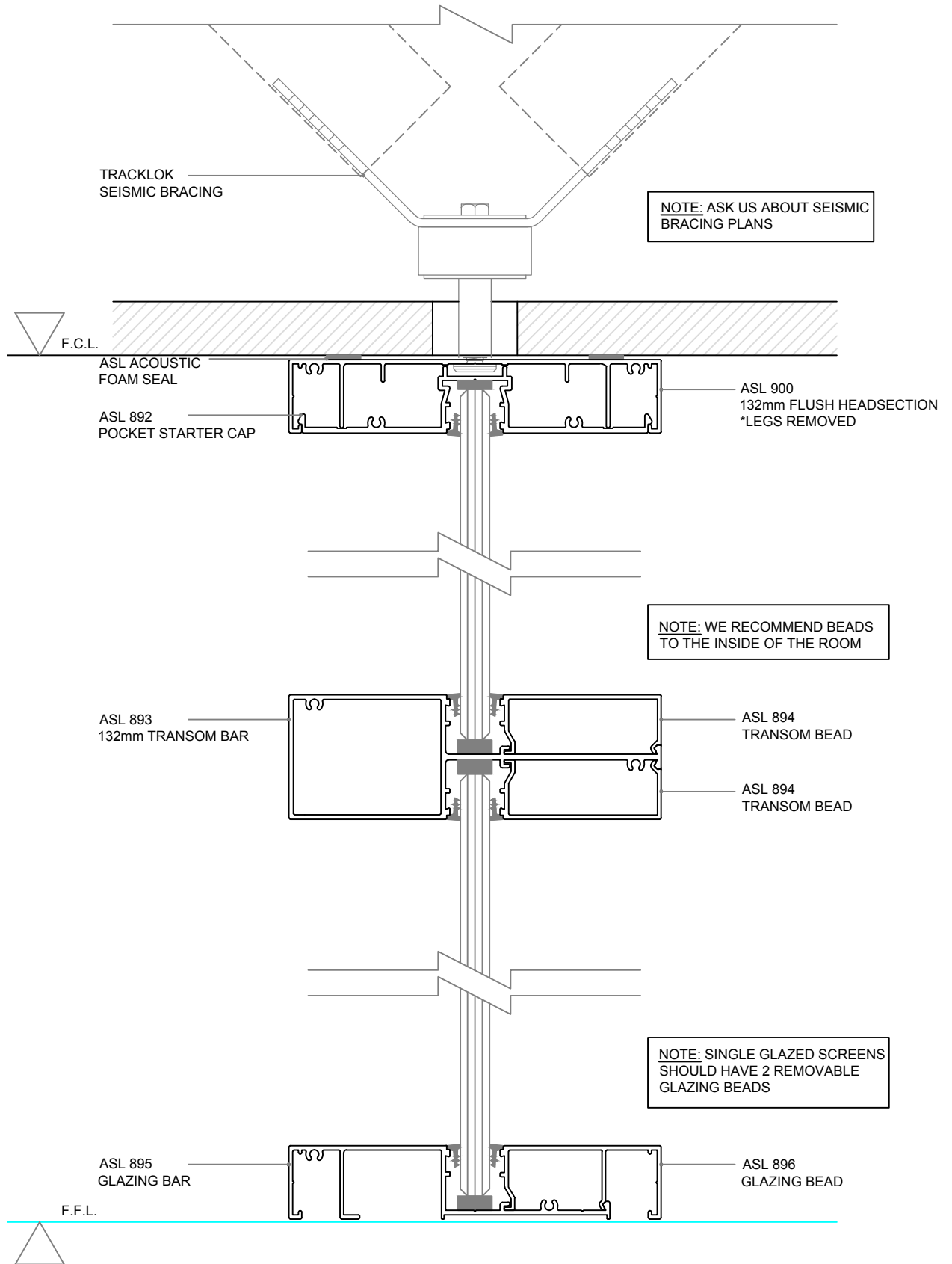




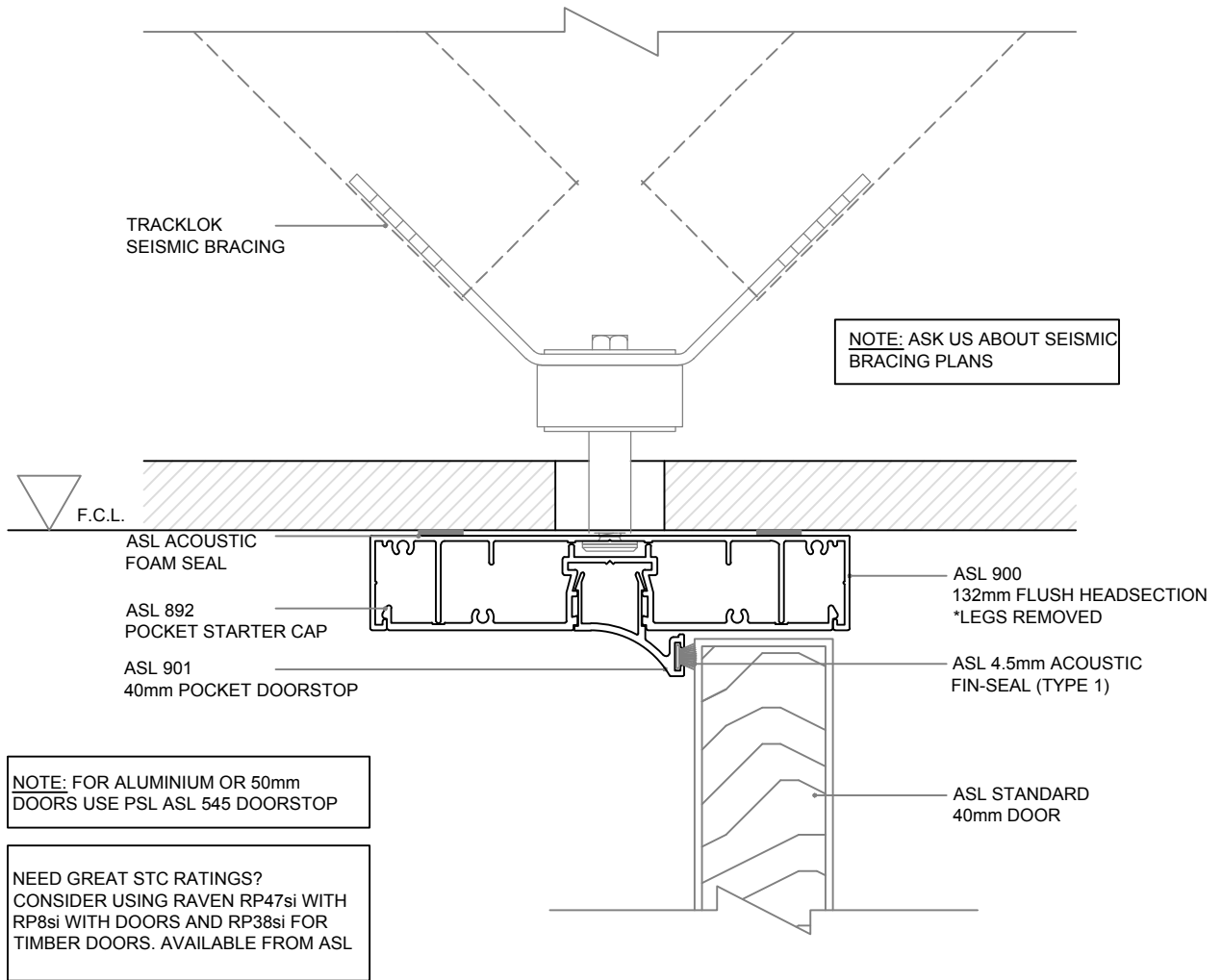
**Negative Details - Headsection Wall, 13mm Plasterboard with negative detail**



## Standard Details - Full Height Glazing with Transom

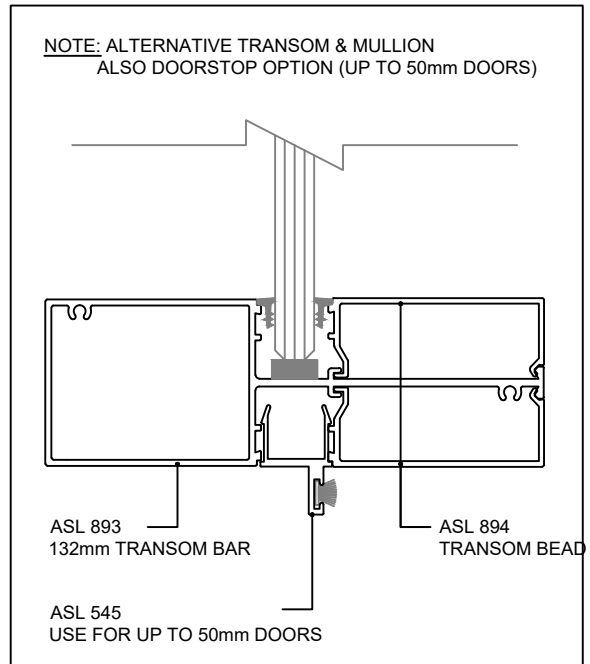
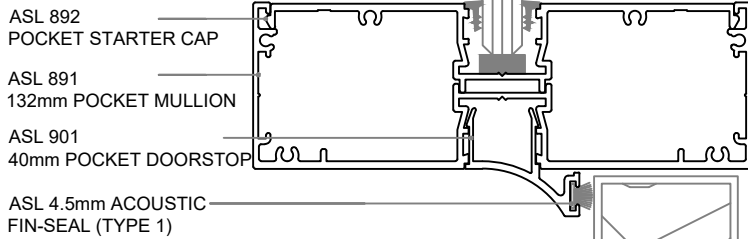
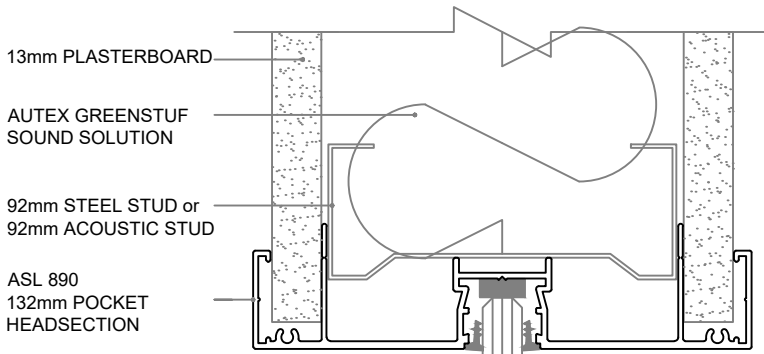


**Standard Details - Door Head**





**Standard Details - 92mm Steel Stud, Glazed Wall, Solid Door, 13mm Plasterboard**



**NOTE: FOR ALUMINIUM OR 50mm DOORS USE ASL 545 DOORSTOP**

**NOTE: FOR GLAZED SCREENS GREATER THAN 1 PANE OF GLASS ONLY 1 REMOVABLE BEAD IS REQUIRED AT THE FLOOR**



ASL STANDARD 40mm DOOR

ASL HD HINGE

**NEED GREAT STC RATINGS? CONSIDER USING RAVEN RP47si WITH RP8si WITH DOORS AND RP38si FOR TIMBER DOORS. AVAILABLE FROM PSL**

ASL 890 132mm POCKET HEADSECTION

92mm STEEL STUD or 92mm ACOUSTIC STUD

**Standard Details - Deflection Headsection above Glazed Wall**

