

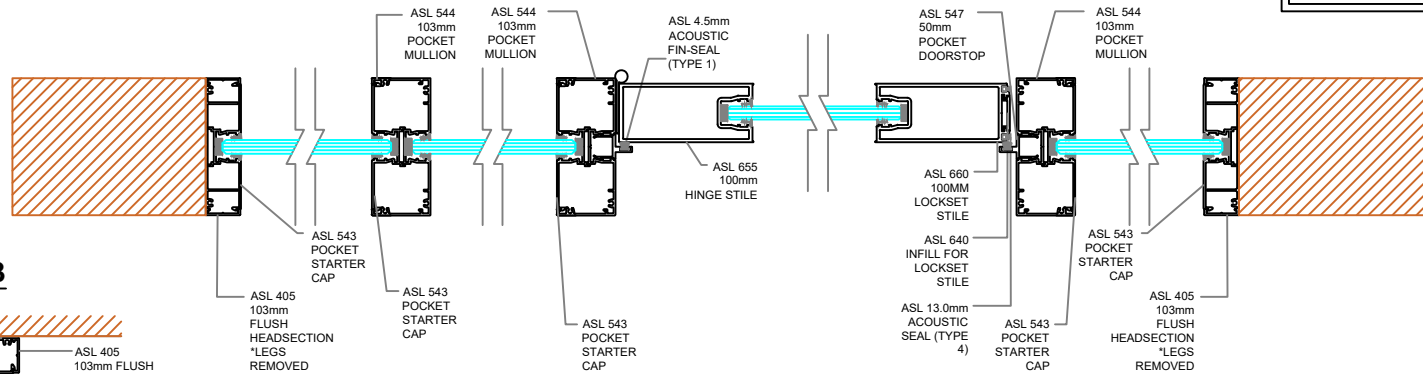
DRAWING APPROVAL

PLEASE CHECK THE APPROPRIATE BOXES
SIGN AND PRINT NAME

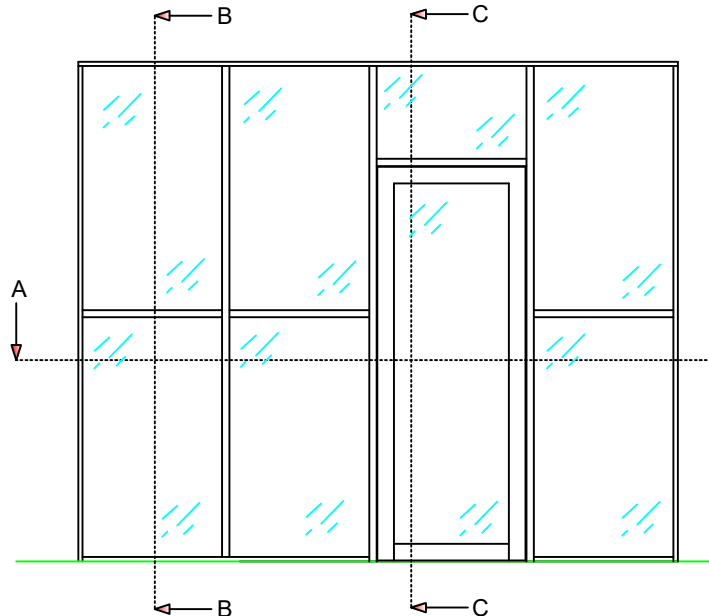
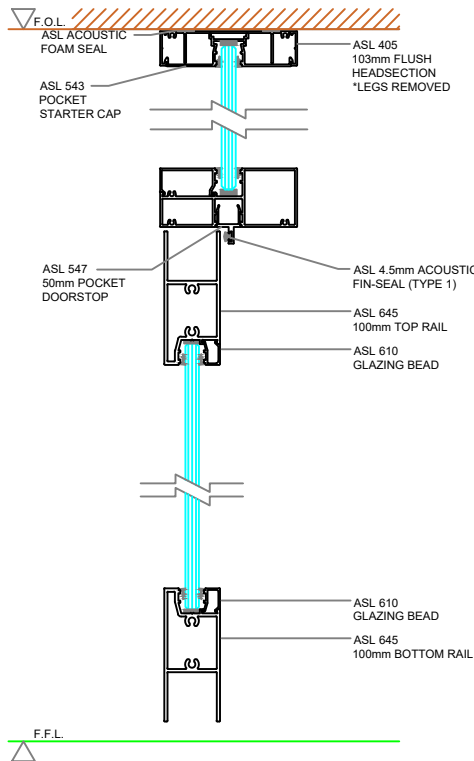
FINISHES	
CRITICAL DIMENSIONS (Red)	
HEIGHT	
WIDTH	
SIGNED BY	
PRINT NAME	
DATE	

- Please Note:-
1. Any queries dont hesitate to contact ASL.
 2. All openings are approximate.
 3. Door openings must be square.
 4. Glass coverage must be 9mm minimum.
 5. We recommend putting all beads to the inside of the room.

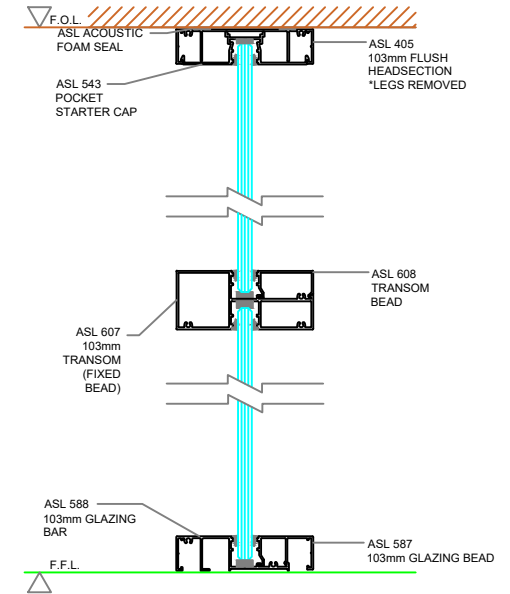
Section A-A



Section B-B



Section C-C



© COPYRIGHT ASL THESE DRAWINGS AND PRODUCTS MADE THEREFROM ARE SUBJECT TO COPYRIGHT UNDER THE NEW ZEALAND COPYRIGHT ACT 1994 AND NEITHER THE DRAWINGS OR PRODUCTS MADE THEREFROM MAY BE REPRODUCED IN ANY MATERIAL FORM OR MODIFIED IN ANYWAY WITHOUT THE WRITTEN APPROVAL OF ASL.

Rev	Date	Change	Name

GENERAL TOLERANCES UNLESS OTHERWISE SPECIFIED 0 = +/- 0.5 0.0 = +/- 0.1 0.00 = +/- 0.05 0.1 UNLESS OTHERWISE SPECIFIED MACHINED SURFACE FINISH UNLESS OTHERWISE SPECIFIED 1/6 ✓	THIRD ANGLE PROJECTION DIMENSIONS IN MILLIMETRES	DESIGNER	REV 1	PROJECT DESCRIPTION CONFIGURATION 64 Series JOB NUMBER
		DRAWN Josh G	A3	
		CHECKED	SHEET 1	
		DATE	SCALE NTS	